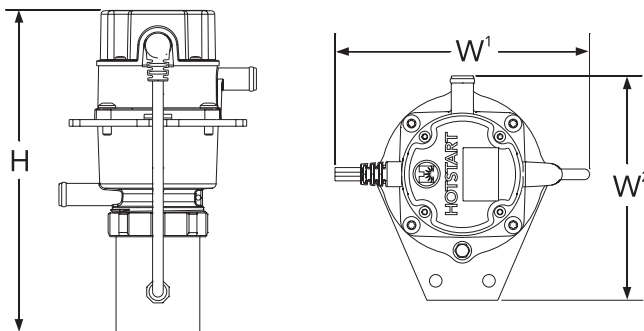


## CTM HOTflow™ Heating System

HOTSTART's CTM HOTflow™ heating system is a complete coolant preheater. It features an integrated pump that combines the benefits of forced circulation with a compact design that can mount to a variety of small engine applications. The CTM model heats engines up to 20L displacement. Forced circulation of the coolant delivers uniform heating throughout the entire engine, extends element life and offers a significant reduction in electrical consumption.



## APPLICATION

HOTflow™ model CTM was developed to pre-heat diesel and gas engines for stationary land power, marine and construction equipment.

## SPECIFICATIONS

- Heating Fluid: Engine coolant (50% glycol/50% water)
- Heat Power: 1, 1.5, and 2.5 kW
- Voltage Range: 1 Phase 120V, 60Hz, 240V 50/60Hz
- Fixed Thermostat: 100°-120°F (38°-49°C)
- Ingress Protection: IP44
- Flow: 3.5GPM (0.79 m³/hr) @ 3 PSI (21 kPa)
- Inlet/Outlet: 0.625" (16mm) hose barb
- For use in weather protected applications

## FEATURES

- UL/C-US listed models available - E250789
- CE compliant models available
- Compact design
- Easy to install

## DIMENSIONS & WEIGHT

Height (H)	Width 1 (W1)	Width 2 (W2)	Weight
9.1"	6.0"	6.3"	3.5 lbs.
230mm	152mm	161mm	1.6 kg

## CTM HOTflow™ Heating System



### PART NUMBERS

Engine Size		Power Supply			Heating System		
CID	Liter	Volts	Phase	Hz	Part Number	kW	Amps
CTM with 48" (1.2m) cord and NEMA plug*							
0-500	0-8	120	1	60	CTM10110-N00	1	8.8
		240	1	50/60	CTM10210-N00	1	4.4
500-750	8-12	120	1	60	CTM15110-N00	1.5	13.0
		240	1	50/60	CTM15210-N00	1.5	6.5
750-1200	12-20	120	1	60	CTM25110-N00	2.5	21.3
		240	1	50/60	CTM25210-N00	2.5	10.7
CTM with 9.8' (3m) cord, no plug							
0-500	0-8	120	1	60	CTM10110-A00	1	8.8
		240	1	50/60	CTM10210-A00	1	4.4
500-750	8-12	120	1	60	CTM15110-A00	1.5	13.0
		240	1	50/60	CTM15210-A00	1.5	6.5
750-1200	12-20	120	1	60	CTM25110-A00	2.5	21.3
		240	1	50/60	CTM25210-A00	2.5	10.7
CTM with 9.8' (3m) cord and Schuko plug (Euro)**							
0-500	0-8	240	1 1	50/60	CTM10210-E00	1	4.4
500-750	8-12	240	1 1	50/60	CTM15210-E00	1.5	6.5
750-1200	12-20	240	1 1	50/60	CTM25210-E00	2.5	10.7

\* - UL/C-US listed

\*\* - CE compliant

Other voltages available. Consult the factory.

Isolation Mounting Kit (optional) — CTM-IMK